

Please note that the data given here has been taken from the online catalog. For comprehensive information and data, please refer to the user documentation at <http://www.download.phoenixcontact.com>. The General Terms and Conditions of Use apply to Internet downloads.

## ► Extract from the online catalog



Sensor/actuator box, with LED, with M23 plug connection and double-occupied slots

Order No.	1692721
Ord designation	SACB-8/16-L-M23 180
EAN	4017918177799
Pack	1 Pcs.
Customs tariff	85366990
Catalog page information	Page 131 (PC-2005)

## ► Technical data

### General data

Nominal voltage $U_N$	24 V DC
Max. operating voltage $U_{max}$	30 V DC
Ambient temperature (operation)	-25 ° C ... 75 ° C
Degree of protection	IP65/IP67
Number of positions	5
Max. current carrying capacity per path	2 A
SACB total current	12 A
Operating current of the indicator elements	$\leq 5$ mA
Number of slots	8
Sensor/actuator connection system	M 12 female connector



---

**Local diagnostics function**

Local diagnostics	Supply voltage per module LED green
Local diagnostics	Status display I/O Yellow LED

---

**Master cable data**

Type of connection	M23 plug connection
--------------------	---------------------

---

**Insulation material**

Insulating material	PA 6.6
Inflammability class acc. to UL 94	V0

---

---

► **Certificates**

---

**CUL**

Nominal voltage $U_N$	24 V
AWG/kcmil	22-16

---

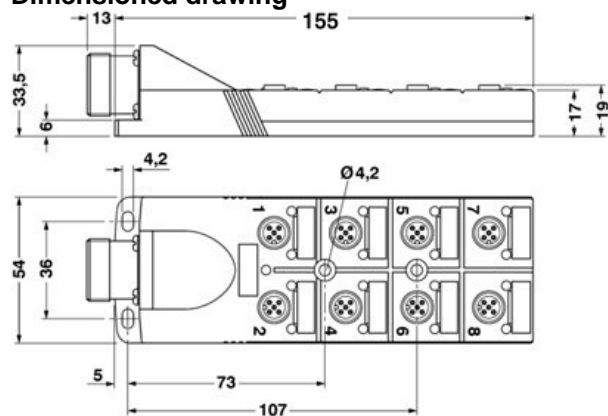
**UL**

Nominal voltage $U_N$	24 V
AWG/kcmil	22-16

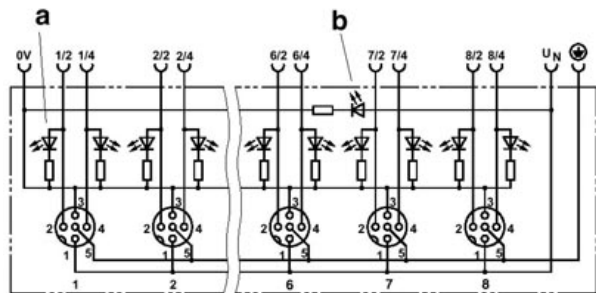
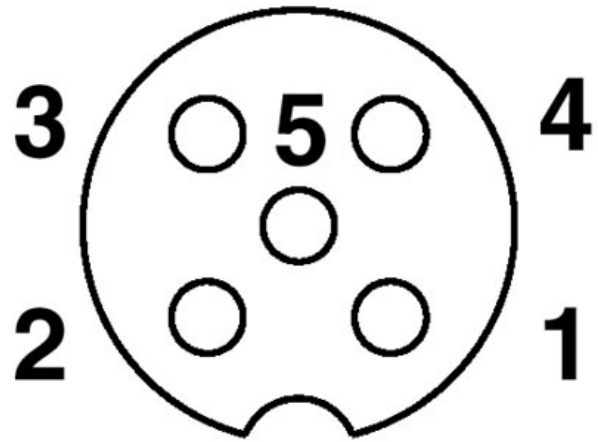
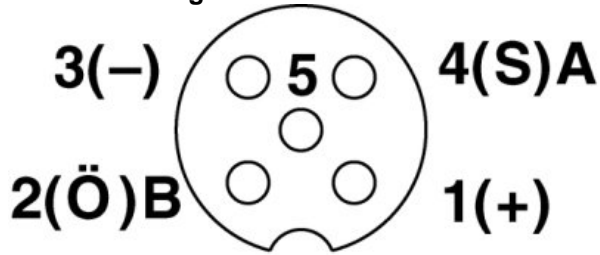
---

## ▶ Drawings

Dimensioned drawing



Schematic diagram



Approval logo



## ► Accessories

Item	Designation	Description
<b>Assembly</b>		
1680539	PROT-M12	Sealing cap for closing unoccupied connections M12
<b>Plug/Adapter</b>		
1685107	RC-T 12/1BU2ST	Connector M23, 12-pos., one M23 male two M23 female
1684014	RCK-TGUM/BL12/ 5,0PUR-U	Female connector M23, straight, 12-pos., with master cable 5 m
1684027	RCK-TGUM/BL12/10,0PUR-U	Female connector M23, straight, 12-pos., with master cable 10 m
1684056	RCK-TGUM/BL16+3/ 5,0PUR-U	Female connector M23, straight, 19-pos., with master cable 5 m
1684069	RCK-TGUM/BL16+3/10,0PUR-U	Female connector M23, straight, 19-pos., with master cable 10 m
1684030	RCK-TWUM/BL12/ 5,0PUR-U	Female connector M23, angled, 12-pos., with master cable 5 m
1684043	RCK-TWUM/BL12/10,0PUR-U	Female connector M23, angled, 12-pos., with master cable 10 m
1684072	RCK-TWUM/BL16+3/ 5,0PUR-U	Female connector M23, angled, 19-pos., with master cable 10 m
1684085	RCK-TWUM/BL16+3/10,0PUR-U	Female connector M23, angled, 19-pos., with master cable 10 m
1000041	V-RC/TGUM 11/KVD 11/LBL 12	Female connector M23, straight, 12-pos., with solder connection, for cable diameters 8 - 12 mm, Pg11
1000042	V-RC/TGUM 13/KVD 13/LBL 16+3	Female connector M23, straight, 19-pos., with solder connection, for cable diameters 10 - 14 mm, Pg13.5
1000043	V-RC/TWUM 11/KVD 11/LBL 12	Female connector M23, angled, 12-pos., with solder connection, for cable diameters 8 - 12 mm, Pg11
1000044	V-RC/TWUM 13/KVD 13/LBL 16+3	Female connector M23, angled, 19-pos., with solder connection, for cable diameters 10 - 14 mm, Pg13.5

---

► **Address**

---

PHOENIX CONTACT GmbH & Co. KG  
Flachsmarktstr. 8  
32825 Blomberg  
Germany  
Phone +49 5235 3 00  
Fax +49 5235 3 41200  
<http://www.phoenixcontact.com>  
Phoenix Contact  
Technical modifications reserved;